



## Series 1007

**Zetco WaterMarked  
& AGA Approved  
DZR Brass Ball Valve F&F  
S/Steel Lockable Lever**

### DESCRIPTION

A female threaded DZR brass ball valve WaterMark approved to AS 5830.1 (Licence WM-000110) and AGA approved to AS 4617 (Approval No. 5301). The dual approval makes this a versatile valve for use in potable water and gas installations while the locking mechanism enables the valve to be locked in either the fully open or fully closed position for added safety and security.

### FEATURES

<b>Design</b>	<p>Forged dezincification resistant brass body</p> <p>Robust stainless steel 316 lever handle, locking mechanism &amp; nut</p> <p>PTFE ball seals for smooth, reliable operation</p> <p>Blow-out proof stem to prevent leakage</p>
<b>Production</b>	<p>Manufactured in Italy under ISO 9001 Quality Management System</p> <p>All valves are pressure tested during production</p>
<b>Technical</b>	<p>Female ISO 7/1 Rp threaded connection</p> <p>Flow capacity: Full bore</p> <p>Flow control: on/off only, not intended for throttling</p> <p>Temperature range: -20°C to 99°C</p> <p>Max. pressure fluids: 8-50mm 2500 kPa, 65-100mm 2000 kPa</p> <p>Max. pressure gas: All sizes 2100 kPa</p> <p>For pressure ratings at specific temperatures see page 2</p>
<b>Options &amp; Variants</b>	<p>Size range: 8mm to 100mm</p> <p>Series 1050 F&amp;F with standard lever handle</p> <p>Series 1008 M&amp;F with lockable lever handle</p> <p>Series 1015 F&amp;F with lockable DZR brass lever handle</p> <p>Series 1027 F&amp;F with lilac lockable lever handle</p>

**BIM-MED<sup>AUS</sup>**



AGA 5301 G  
AS 4617



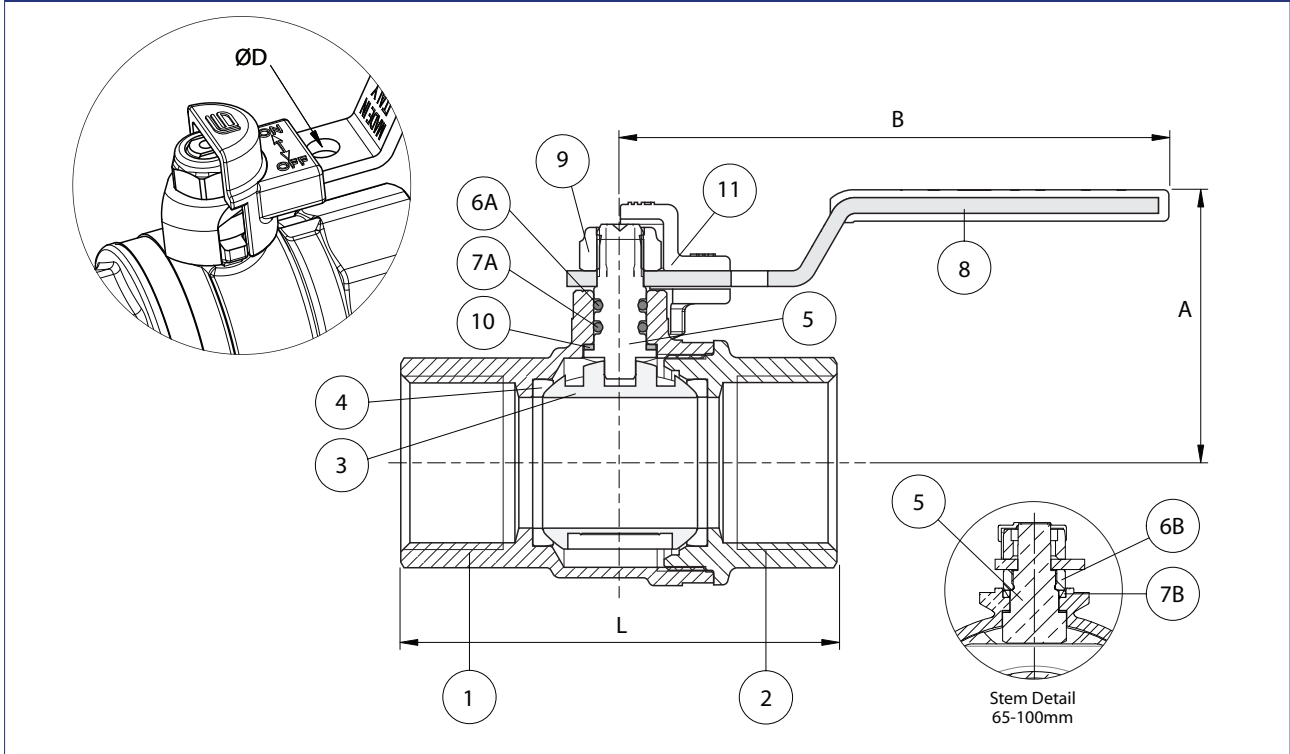
**WaterMark**  
IAPMO WM-000110  
AS 5830.1

# Series 1007

Zetco WaterMarked & AGA Approved DZR  
Brass Ball Valve F&F S/Steel Lockable Lever



## DESCRIPTION



## PARTS MATERIALS

POS.	PART	MATERIAL
1	BODY	DZR BRASS
2	END ADAPTOR	DZR BRASS
3	BALL	DZR BRASS (CHROME PLATED)
4	SEAL	PTFE
5	STEM	DZR BRASS
6A	UPPER O-RING	HNBR
7A	LOWER O-RING	EPDM PEROXIDE
6B	GLAND NUT	BRASS
7B	CONICAL SEAL	PTFE
8	HANDLE	STAINLESS STEEL 316
9	NUT	STAINLESS STEEL 316
10	THRUST WASHER	PTFE
11	LOCKING MECHANISM	STAINLESS STEEL 316

## DIMENSIONS (mm)

Prod. Code	Size	A	B	L	ØD	Kv	Wgt Kg
1007006	8	34	87	46	6	6	0.165
1007010	10	37	87	49	6	8	0.152
1007015	15	38	87	62	6	15	0.210
1007020	20	46	105	70	7	28	0.360
1007025	25	53	105	84	7	39	0.530
1007032	32	64	130	96	8	84	0.844
1007040	40	69	130	107	8	156	1.21
1007050	50	83	165	128	9	243	1.97
1007065	65	105	255	159	9	476	4.03
1007080	80	120	255	182	9	770	6.30
1007100	100	135	255	219	9	1200	9.90

## PRESSURE/TEMPERATURE GRAPH

